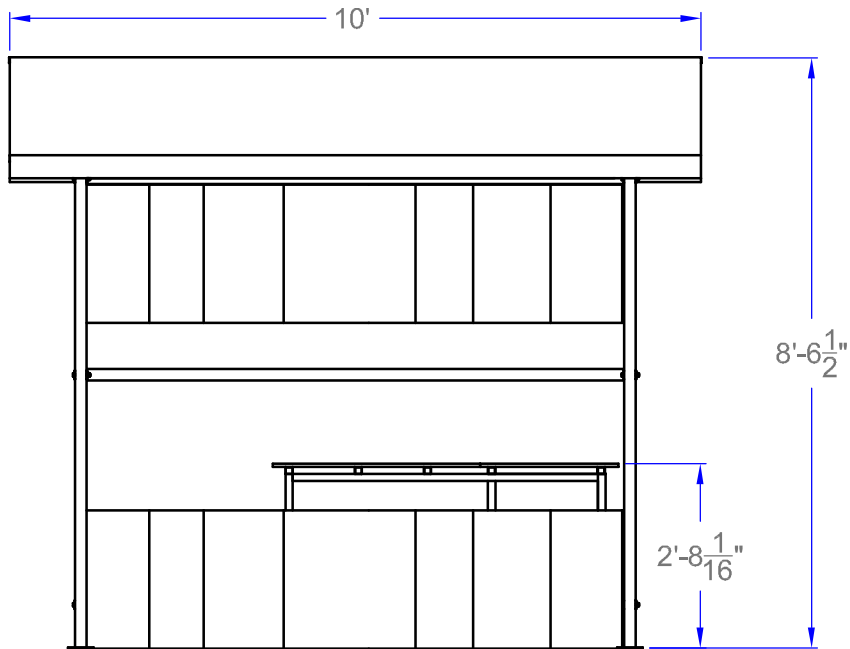
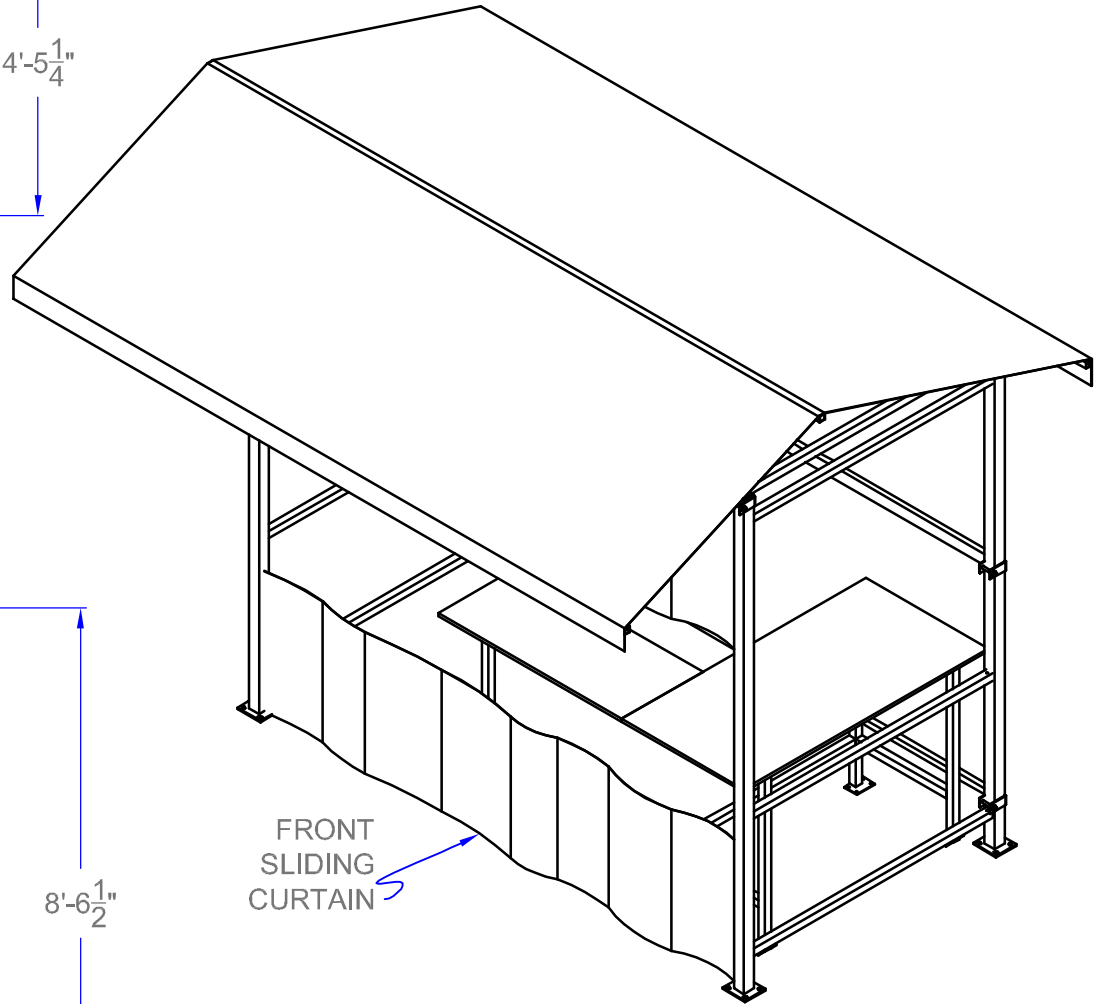


TOP VIEW  
(HIDDEN LINES SHOWN)




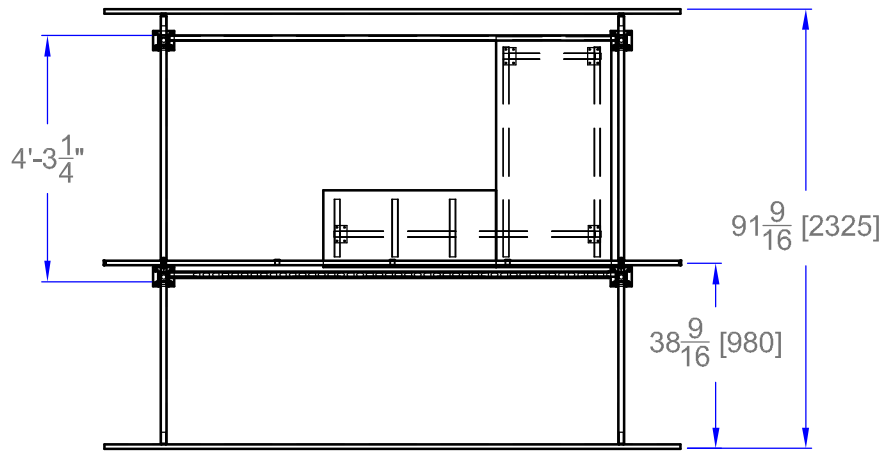
FRONT VIEW



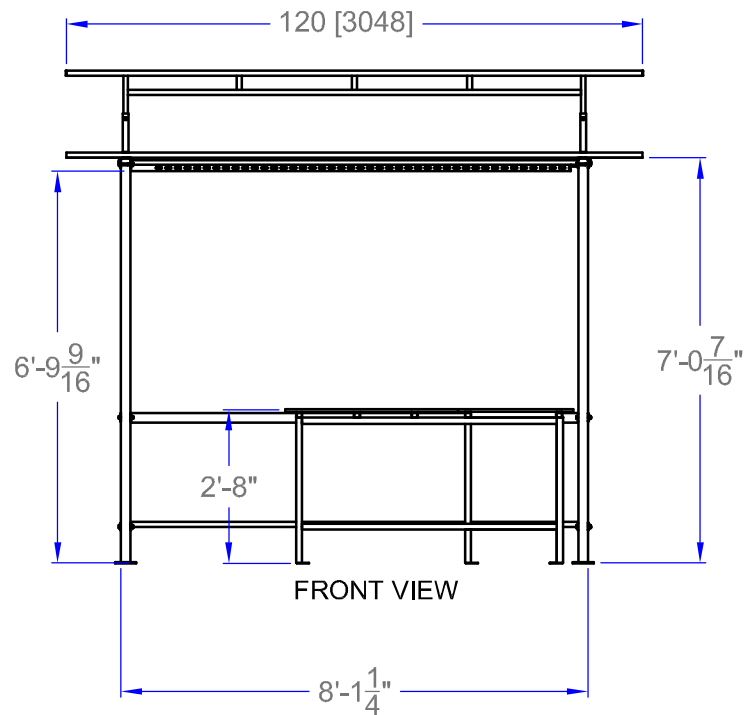
FRONT  
SLIDING  
CURTAIN

SHOWN WITH OPTIONAL RIGHT SIDE CASH DESK  
CASH DESK FOR LEFT SIDE AVAILABLE

DRAWN BY PWE	DATE 04.15.05	REV# ---- REV.DATE ----	BY ---- HDG	FINISH HDG	QTY. 1	SCALE NTS
DESIGNED BY PLF	CHECKED BY ----	TITLE/NAME 7' X 10' CASH HUT				
		CUSTOMER -				
DRG NO. 7X10_05					BASIC UNITS ( ' & " ) [ mm ]	



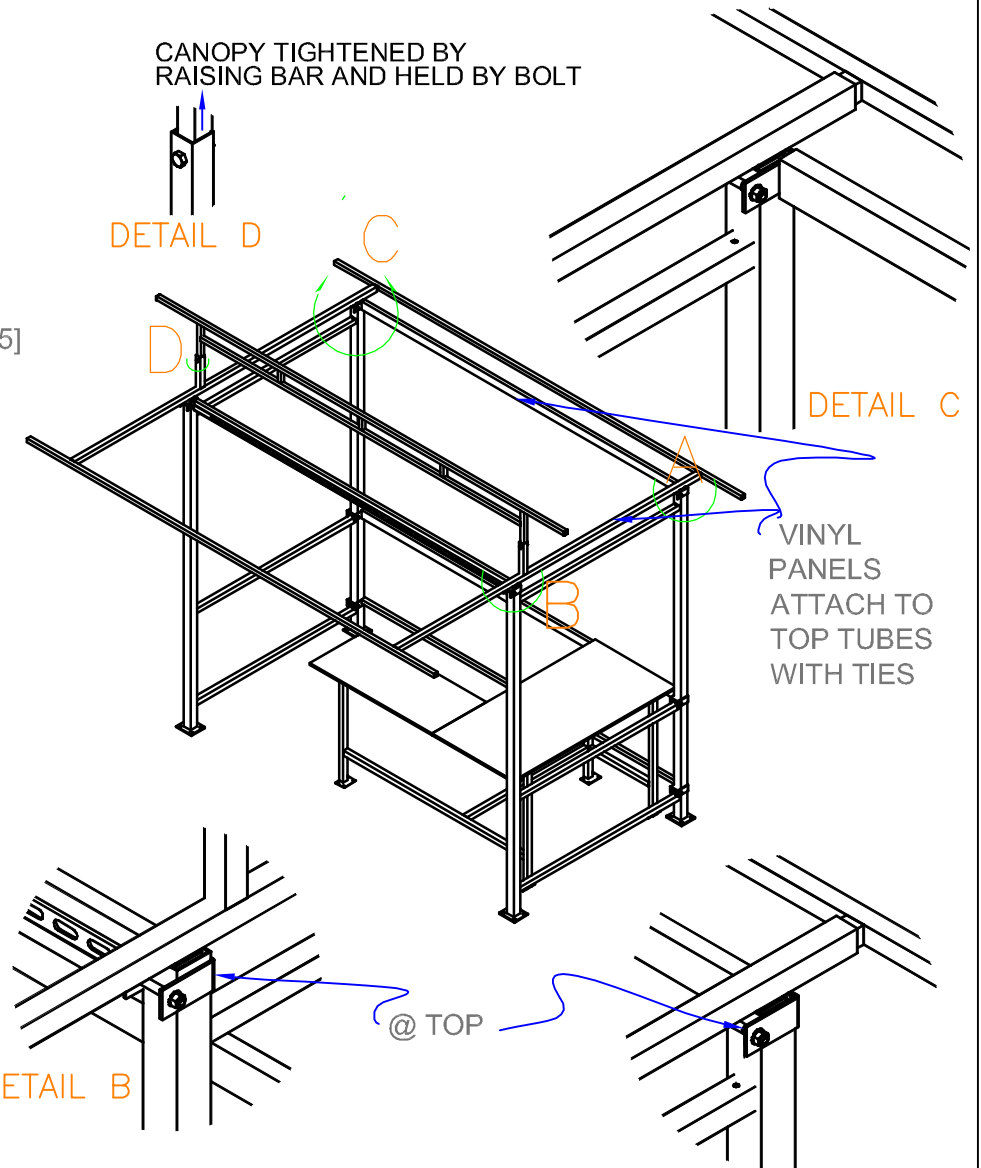
TOP VIEW



FRONT VIEW

CANOPY TIGHTENED BY RAISING BAR AND HELD BY BOLT

DETAIL D



DETAIL C


VINYL PANELS ATTACH TO TOP TUBES WITH TIES

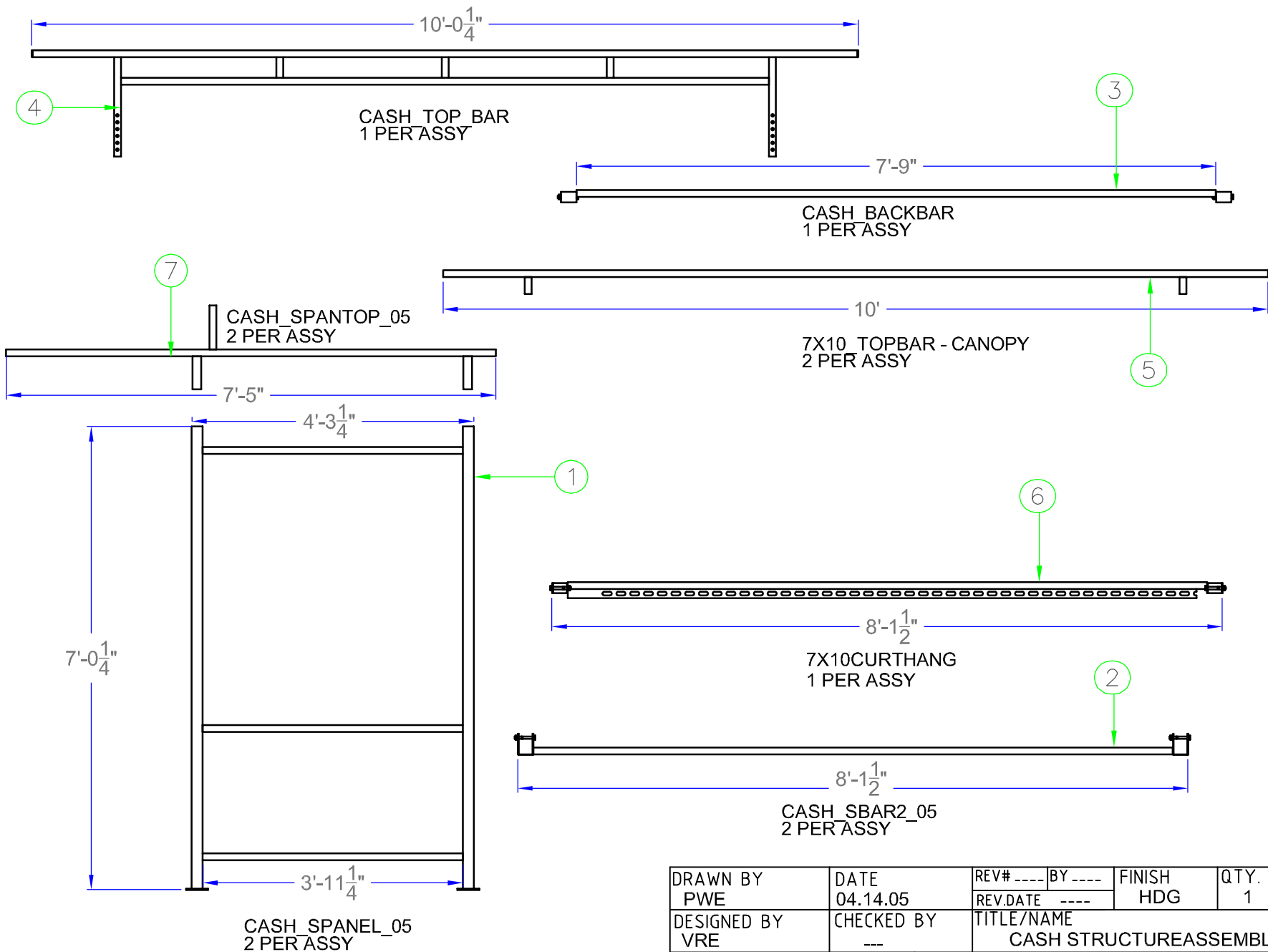
DETAIL B


@ TOP

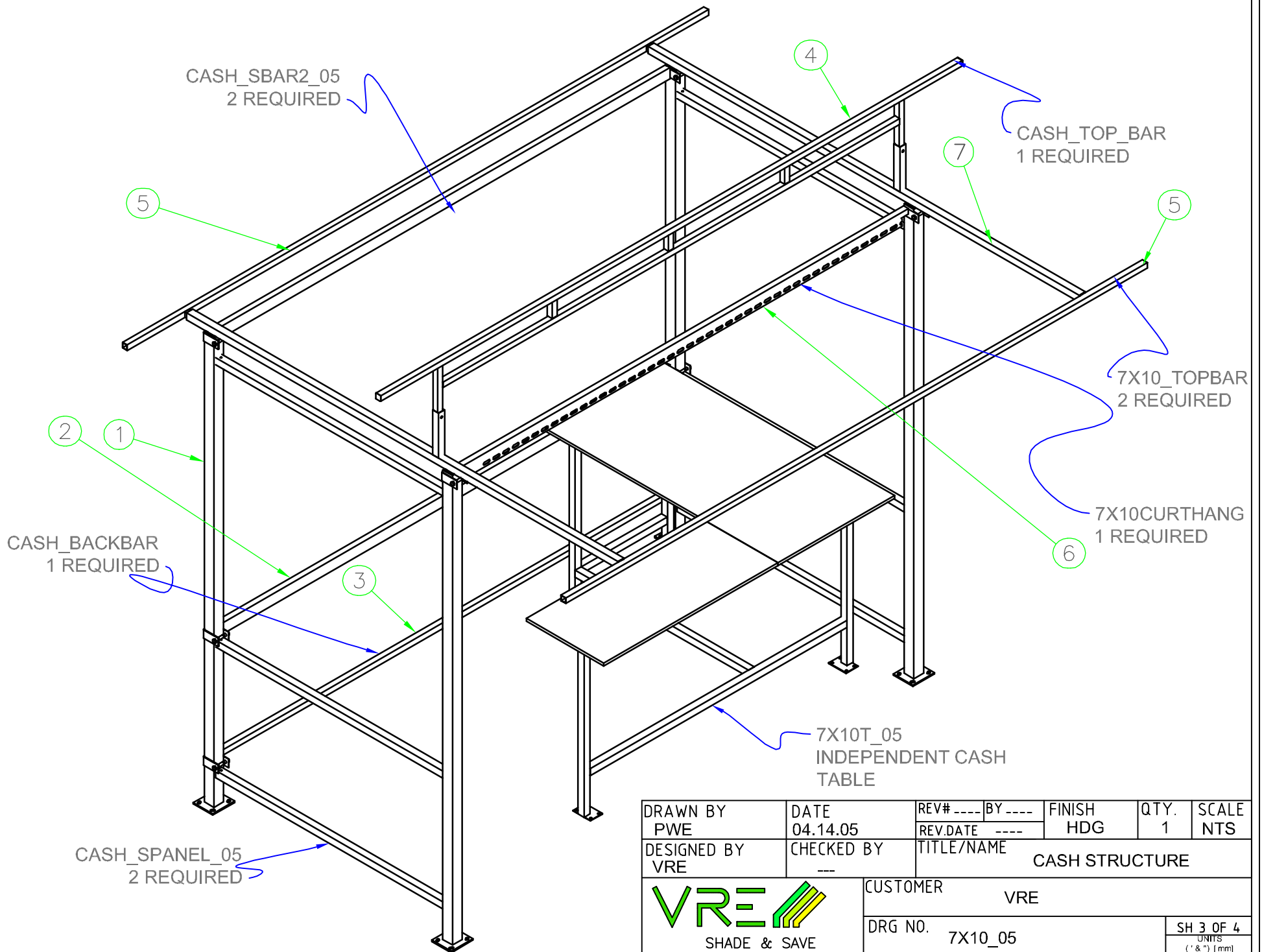
DETAIL A


TABLE IS INDEPENDENT

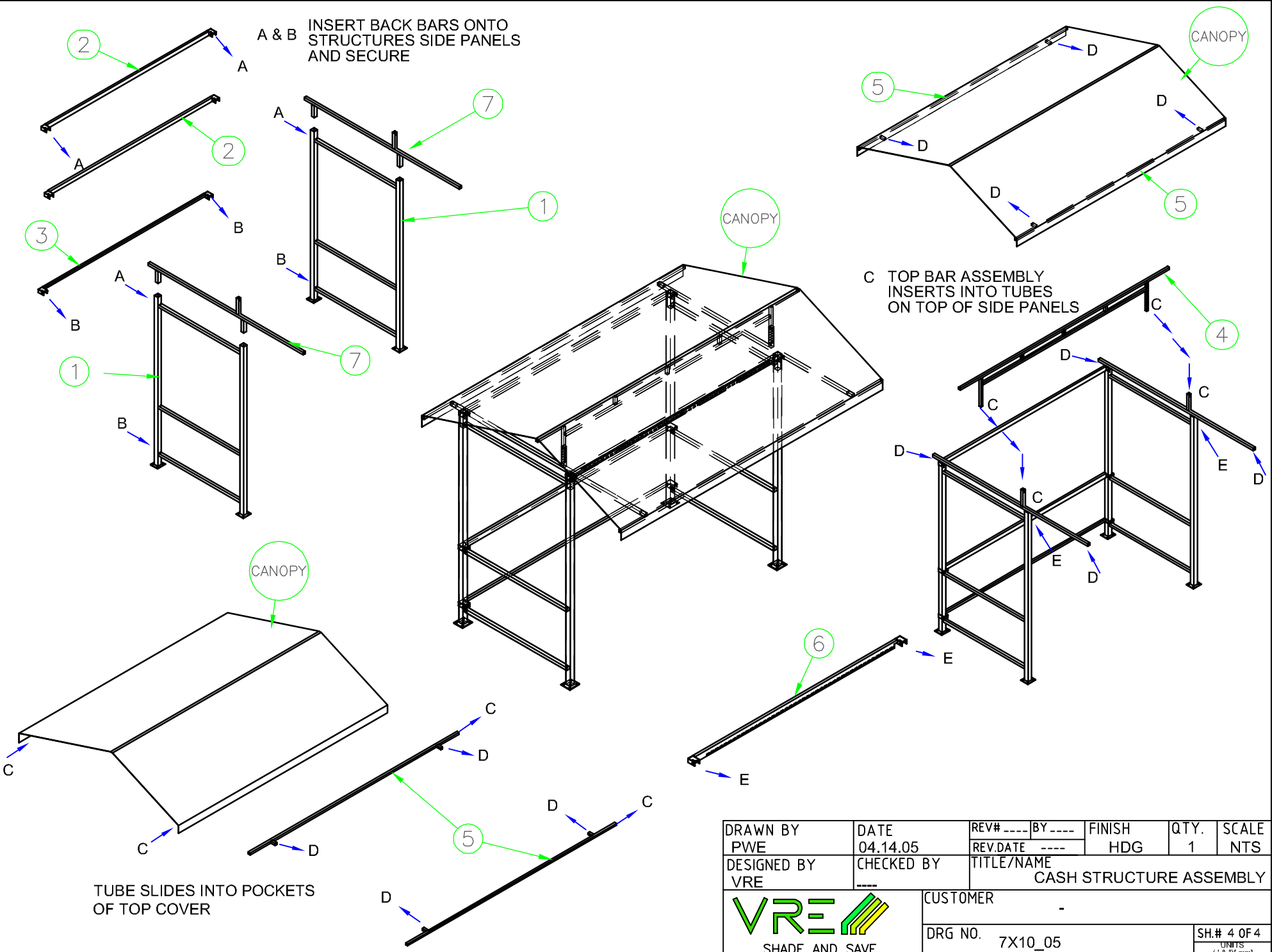
DRAWN BY PWE	DATE 04.14.05	REV#1 REV.DATE 10.18.06	BY PWE	FINISH HDG	QTY. 1	SCALE NTS
DESIGNED BY VRE	CHECKED BY ---	TITLE/NAME CASH STRUCTURE				
		CUSTOMER VRE			SH.# 1 OF 4 UNITS (' & ') [mm]	
		DRG NO. 7X10_05				



DRAWN BY PWE	DATE 04.14.05	REV# ---- REV.DATE ----	BY ---- HDG	FINISH HDG	QTY. 1	SCALE NTS
DESIGNED BY VRE	CHECKED BY ---	TITLE/NAME CASH STRUCTUREASSEMBLIES				
		CUSTOMER VRE			SH.# 2 OF 4 UNITS (' & ") [mm]	
		DRG NO. 7X10_05				



DRAWN BY PWE	DATE 04.14.05	REV# ---- BY ---- REV.DATE ----	FINISH HDG	QTY. 1	SCALE NTS
DESIGNED BY VRE	CHECKED BY ---	TITLE/NAME CASH STRUCTURE			
		CUSTOMER VRE			
		DRG NO. 7X10_05	SH 3 OF 4 UNITS ( ' & ' ) [ mm ]		



DRAWN BY PWE	DATE 04.14.05	REV# ---- REV.DATE ----	BY ---- HDG	FINISH HDG	QTY. 1	SCALE NTS
DESIGNED BY VRE	CHECKED BY ----	TITLE/NAME CASH STRUCTURE ASSEMBLY				

CUSTOMER -	
DRG NO. 7X10_05	SH.# 4 OF 4 UNITS (' & ") [mm]

