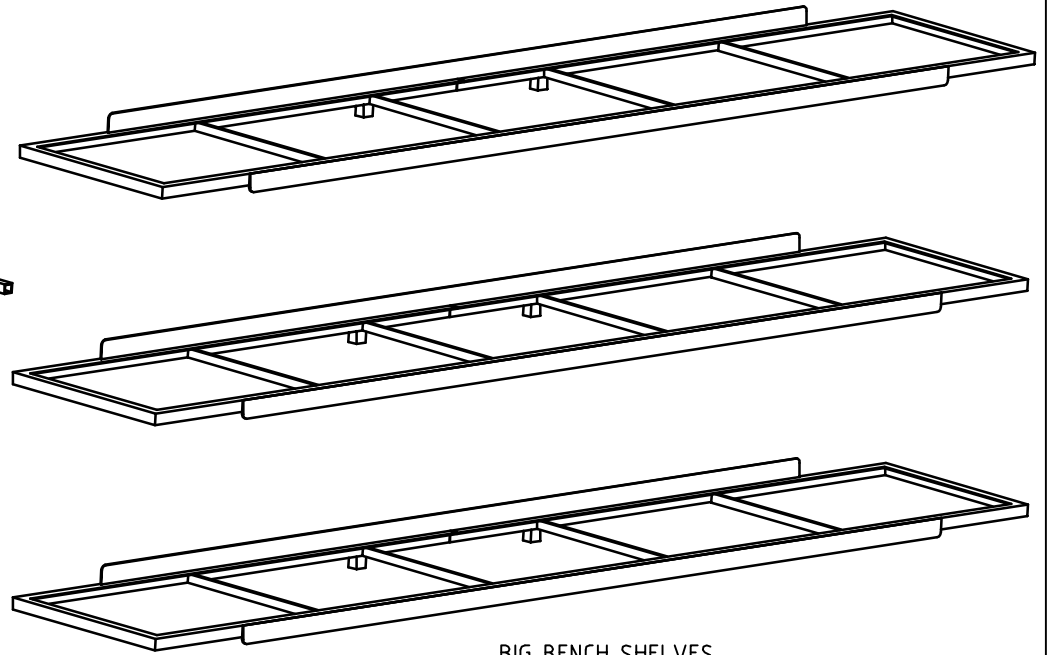
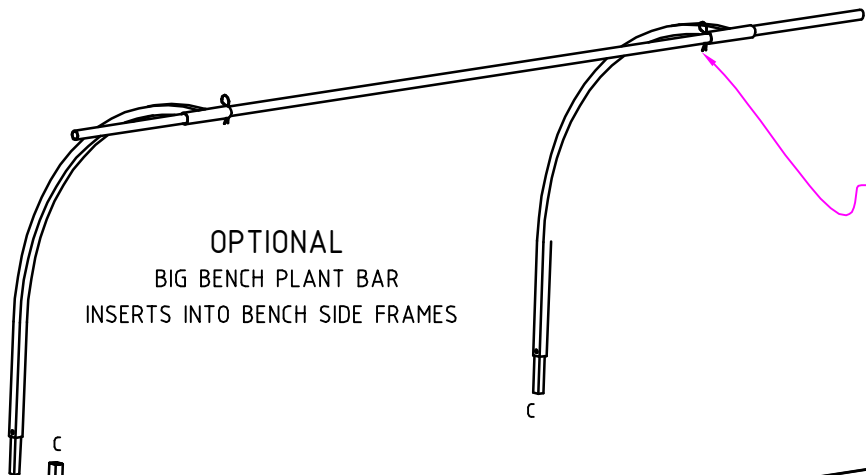
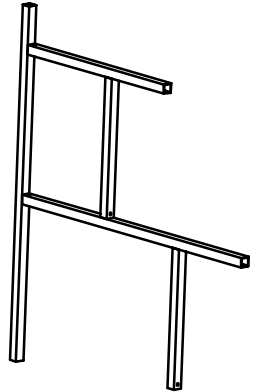
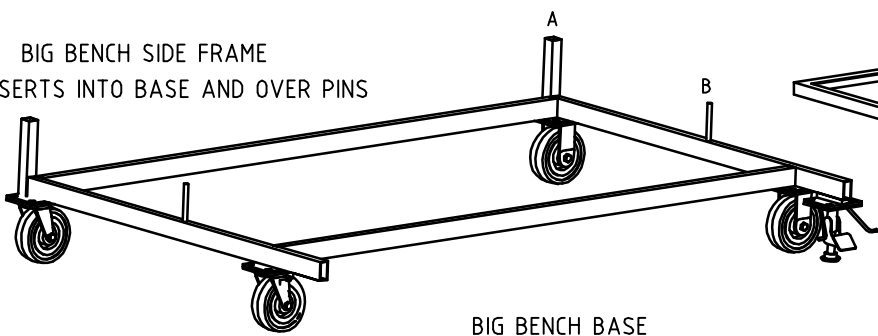


OPTIONAL
BIG BENCH PLANT BAR
INSERTS INTO BENCH SIDE FRAMES

2 CLIPS TO SECURE
TOP BAR IN POSITION



BIG BENCH SIDE FRAME
INSERTS INTO BASE AND OVER PINS



BIG BENCH BASE
COMPLETE WITH FLOOR PAD BRAKES

BIG BENCH SHELVES
ATTACHED TO SIDE FRAMES WITH BRACKET/BOLT

DRAWN BY PWE	DATE 07.05.05	REV# ---- REV.DATE ----	BY ---- ----	FINISH HDG	QTY. 1	SCALE NTS
DESIGNED BY VRE	CHECKED BY ----	TITLE/NAME ASSEMBLE BIG BENCH				



CUSTOMER -	
DRG NO. BIG_BENCH	SH.# 2 OF 3 UNITS (' & ") [mm]