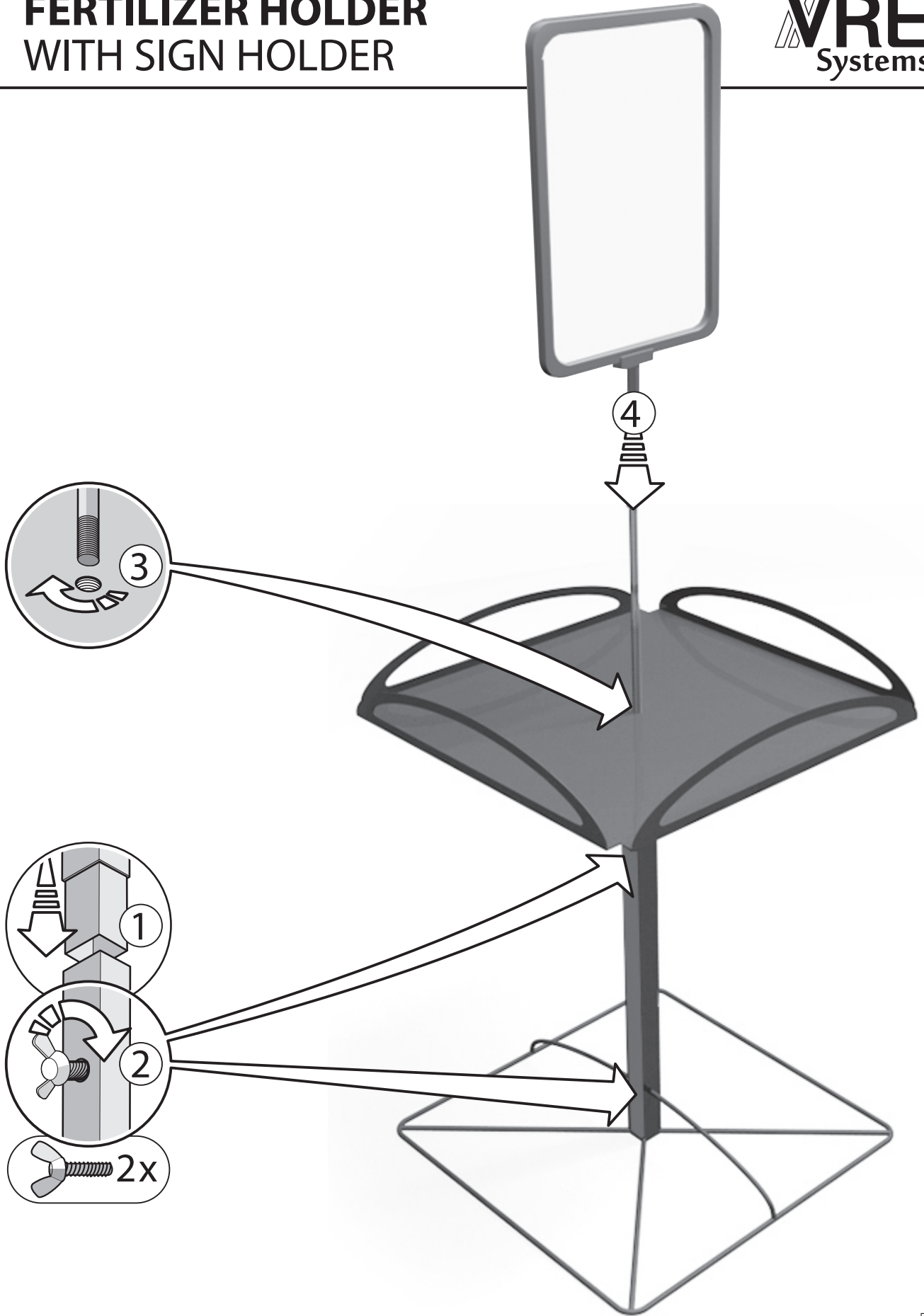


# FERTILIZER HOLDER WITH SIGN HOLDER



54PCV040VC12 IM12



R.R. #1, 7367 Young Street, Grassie, ON L0R 1M0  
Tel. 1-800-499-4873 • Fax 905-945-9294  
E-mail: info@vresystems.com • www.vresystems.com