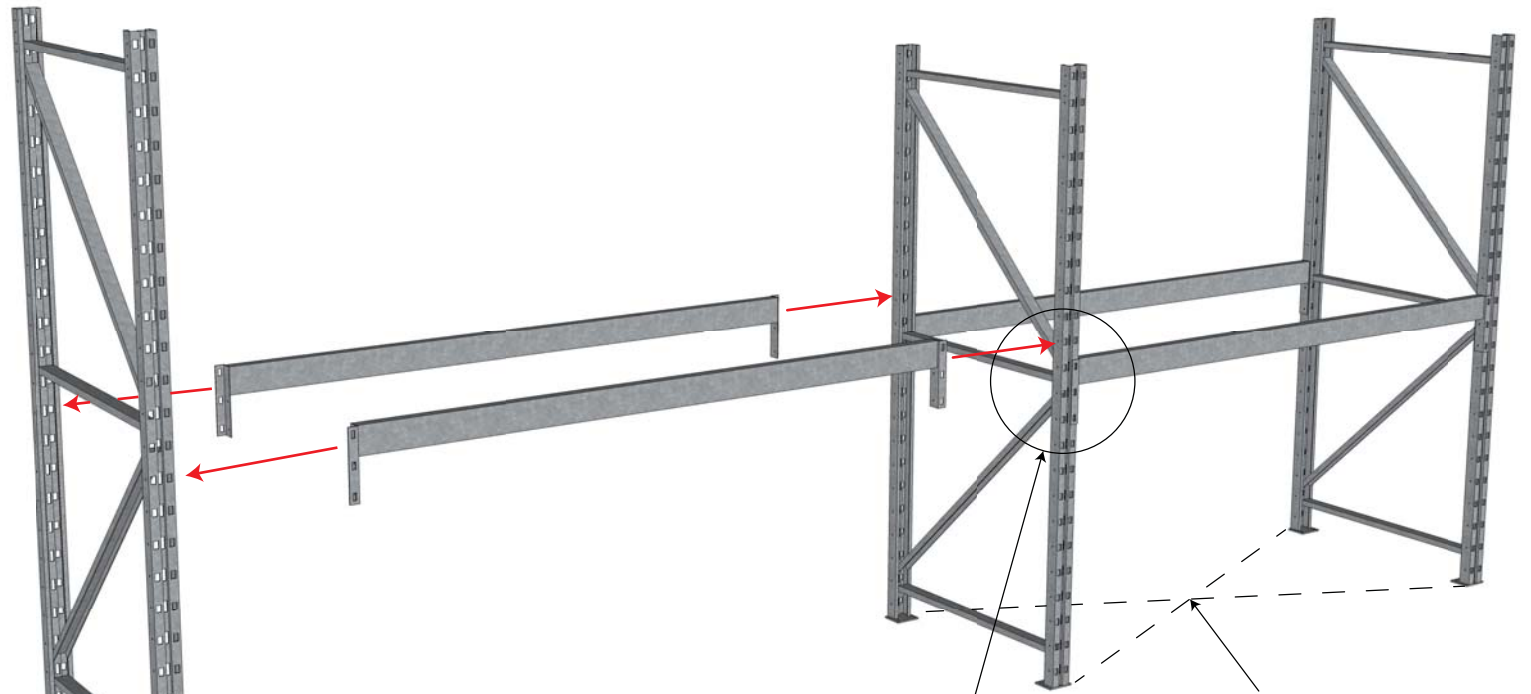


PALLET RACKING ASSEMBLY INSTRUCTIONS

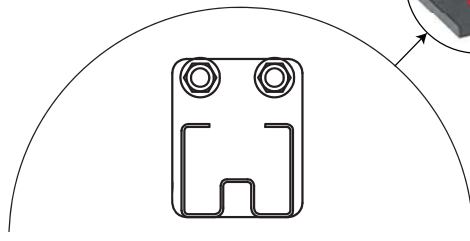


BEFORE STARTING TO INSTALL:

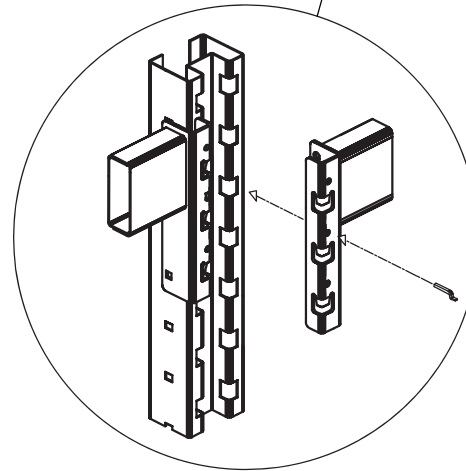
Check for damaged or missing components.
 Ensure that the area the unit is to be installed is clear.
 Check to ensure that the racking will fit and does not block any fire exits.



(B) SQUARE END FRAMES
 Square the base of the starter by measuring diagonally from post to post



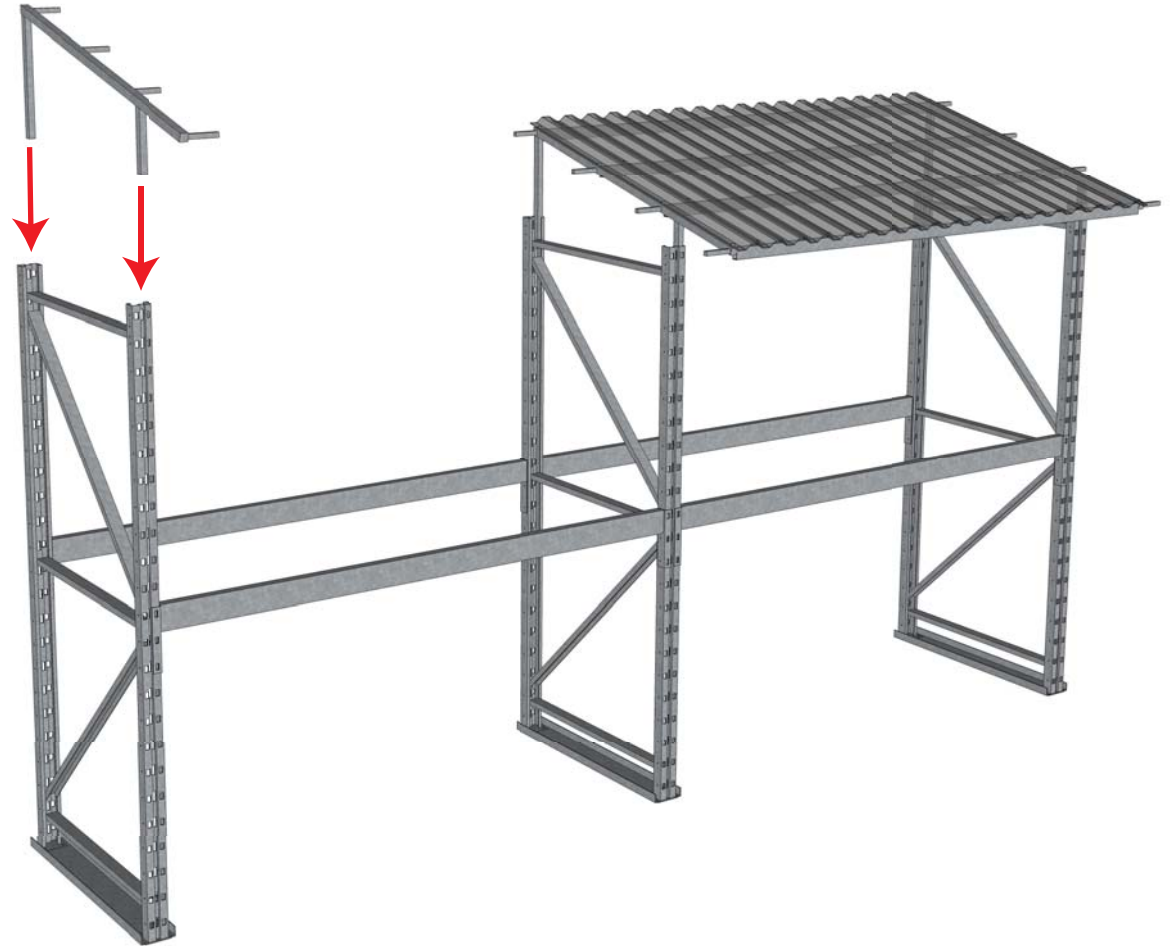
(C) ANCHOR END FRAMES
 Use appropriate anchoring hardware for the type of surface you are anchoring to. The optional u-channel can be placed under the vertical posts when necessary.



(A) BEAM CONNECTION
 Requires 1 lock pin per bracket

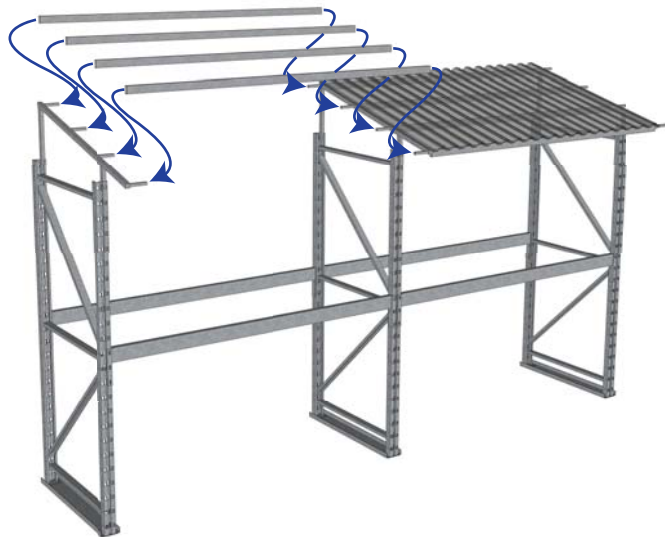
(D) INSERT ROOF END FRAMES

Insert the vertical posts of the roof endframes into the top of the framing vertical posts.
(Don't fasten yet).



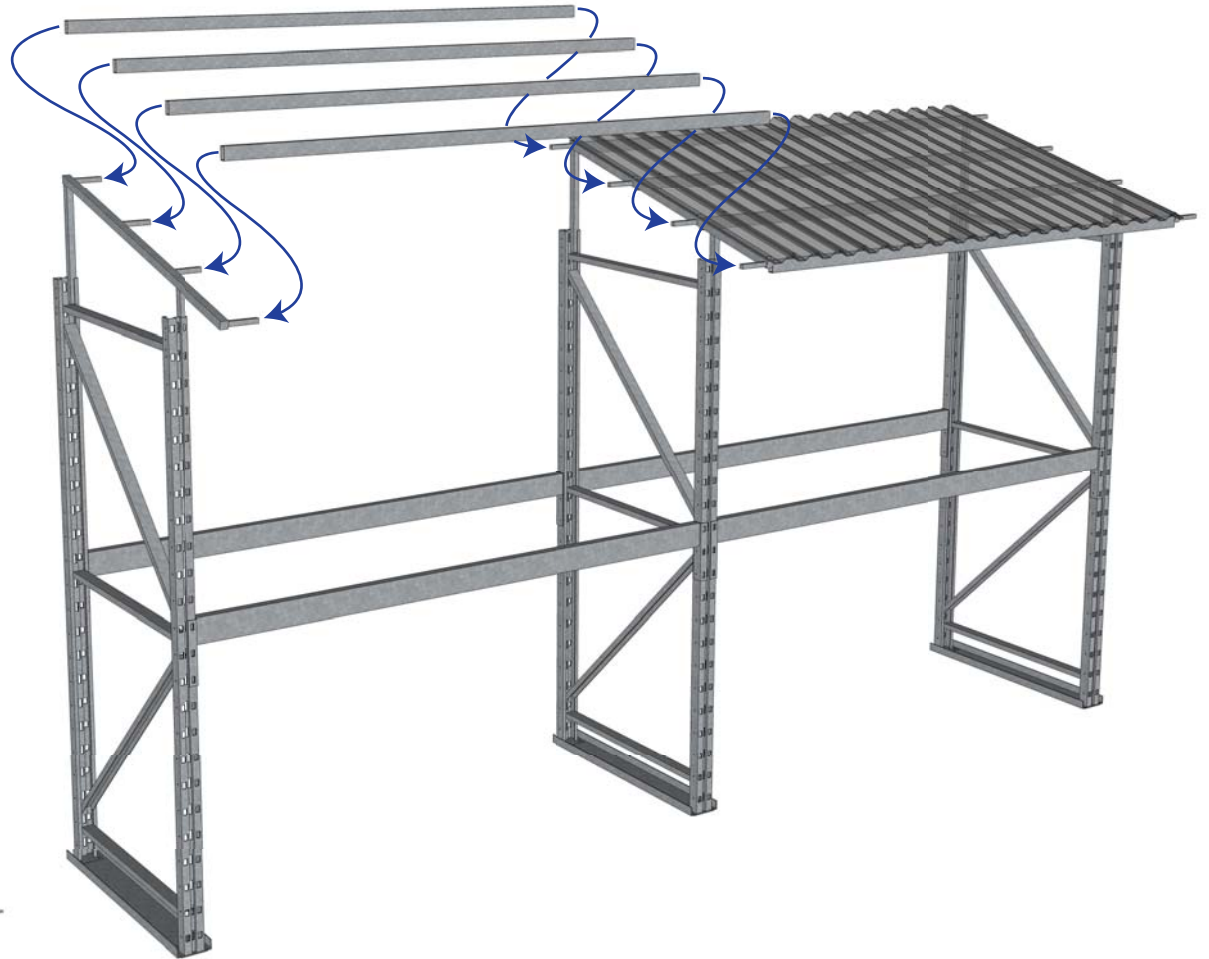
NEXT...

(E) INSERT ROOF HORIZONTAL BEAMS



(E) INSERT ROOF HORIZONTAL BEAMS

Insert the horizontal beams which support the roofing into the roof side frames.



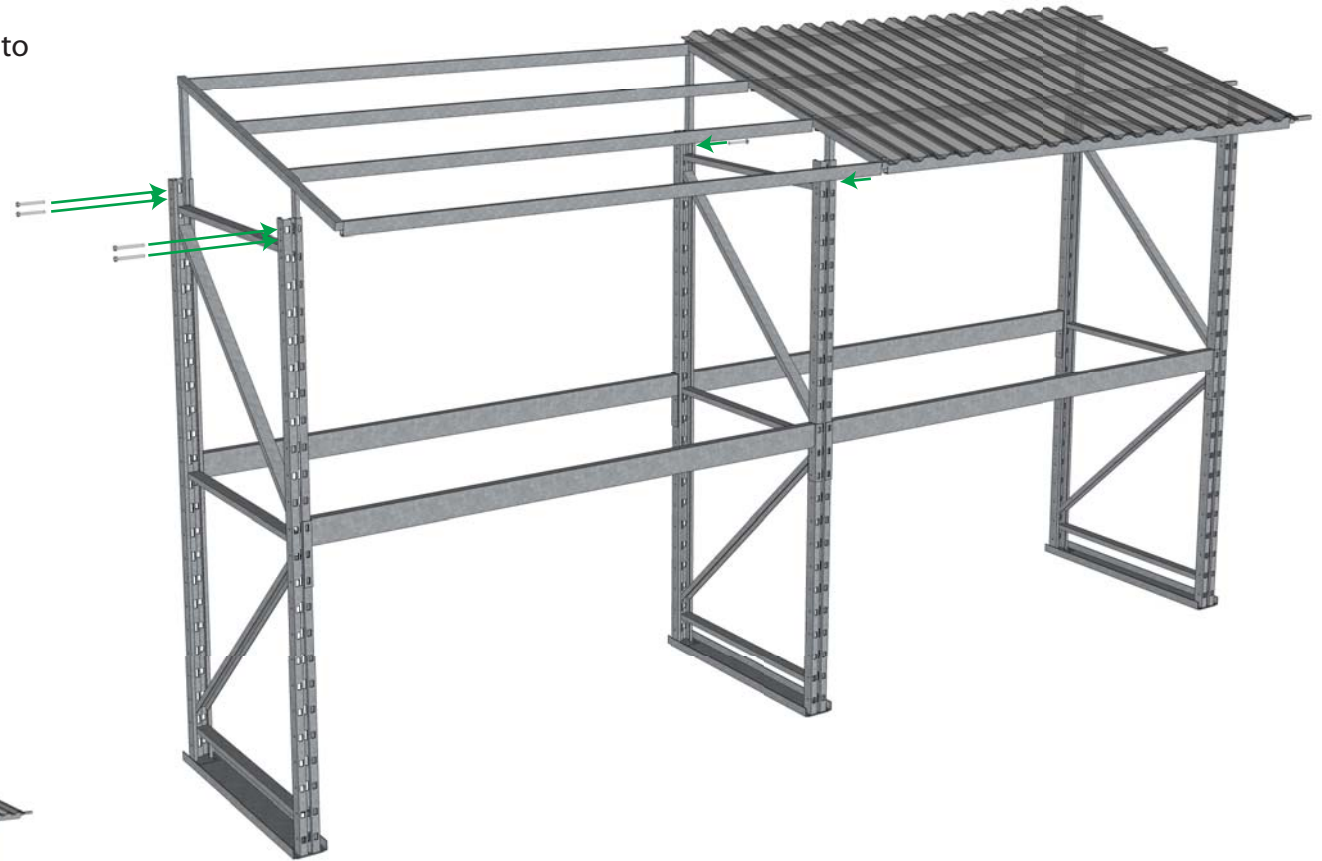
NEXT...

(F) FASTEN ROOF END FRAMES



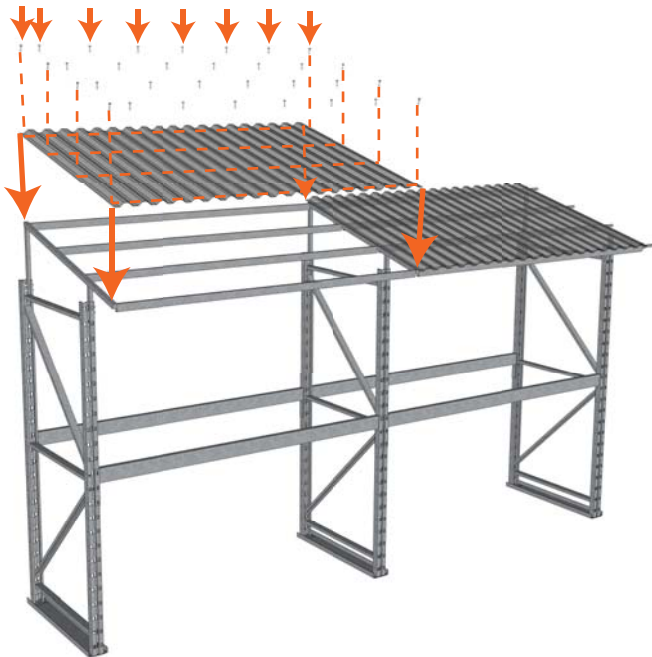
(F) FASTEN ROOF END FRAMES

Using nuts and bolts, fasten the roof end frames to the vertical posts of the framing below.



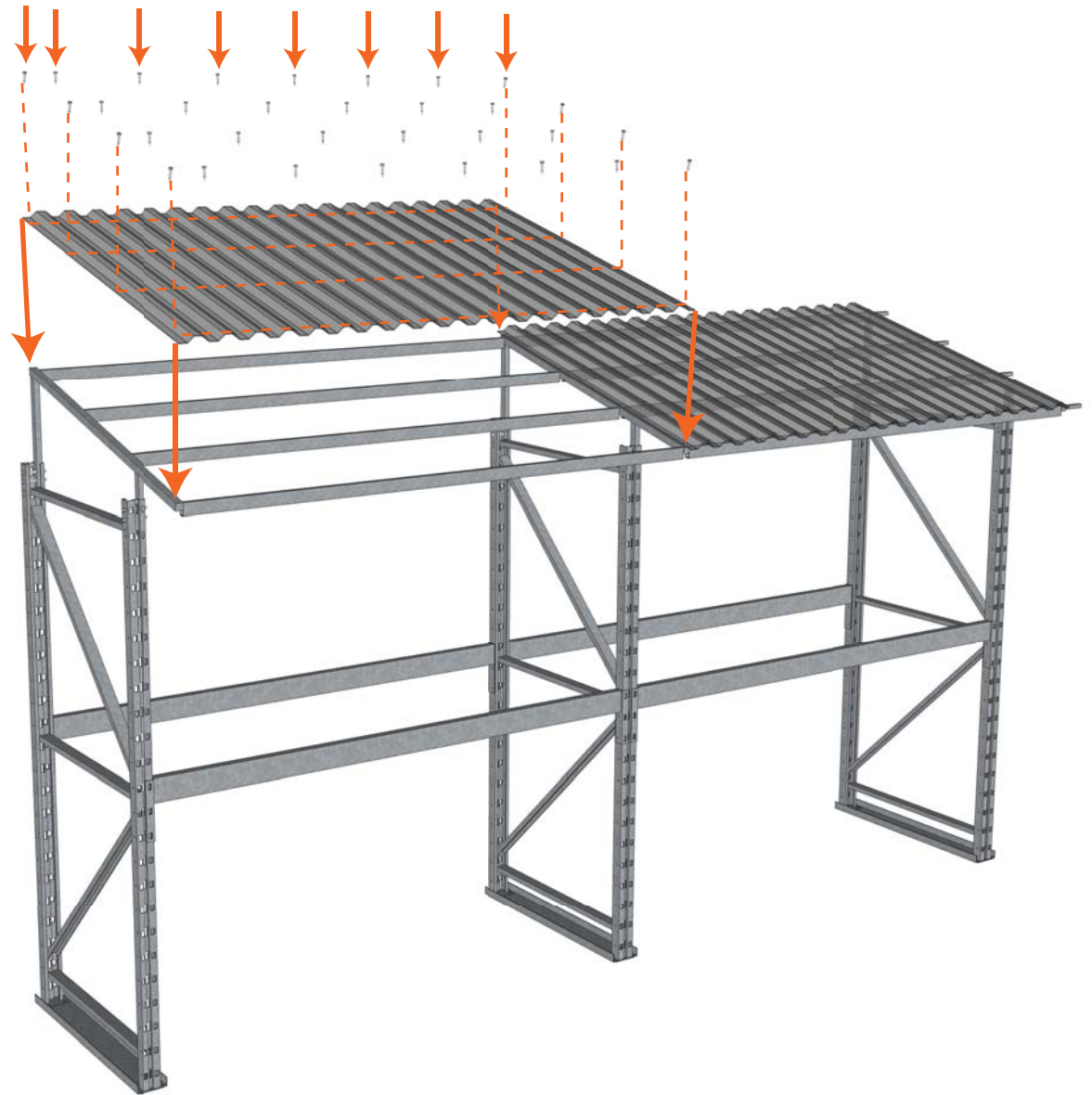
NEXT...

(G) FASTEN POLYCARBONATE ROOFING



(G) FASTEN POLYCARBONATE ROOFING

Lay the polycarbonate sheet on top of roof horizontal beams and secure to horizontal beams with screws (every 3 "valleys").



INSTALLATION COMPLETE

