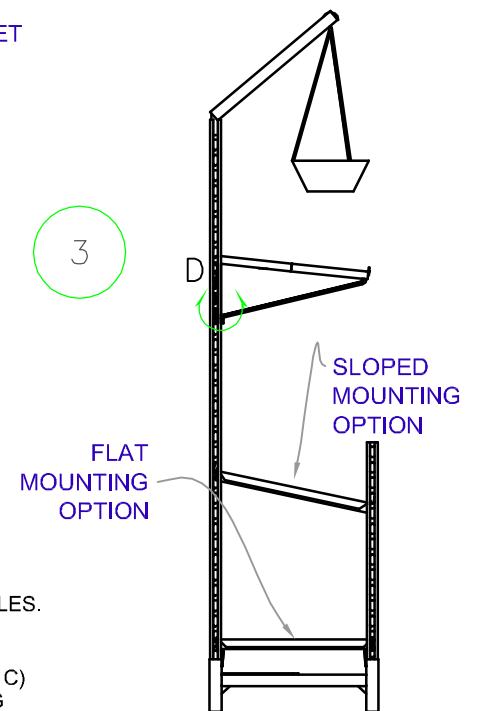
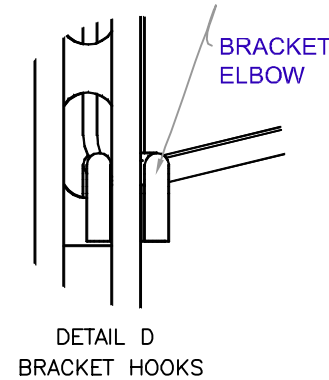
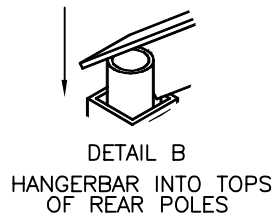
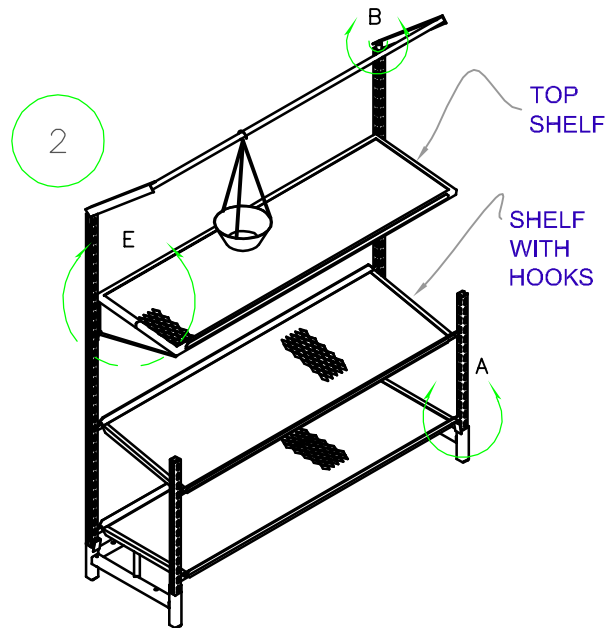
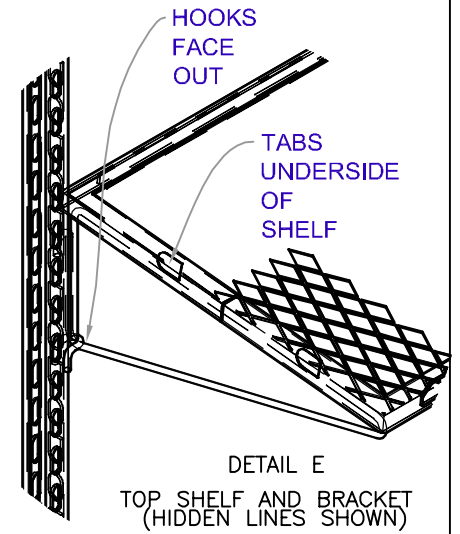
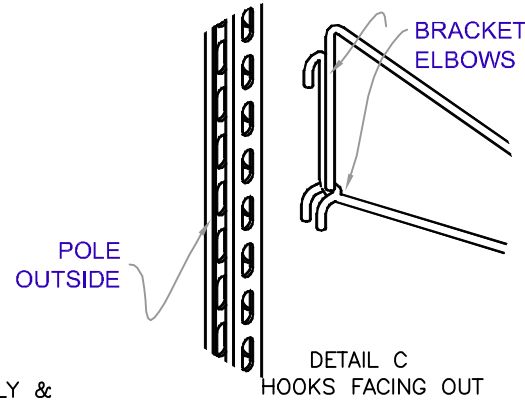
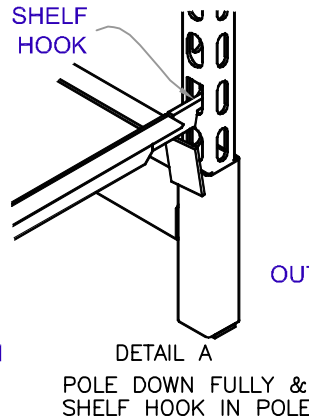
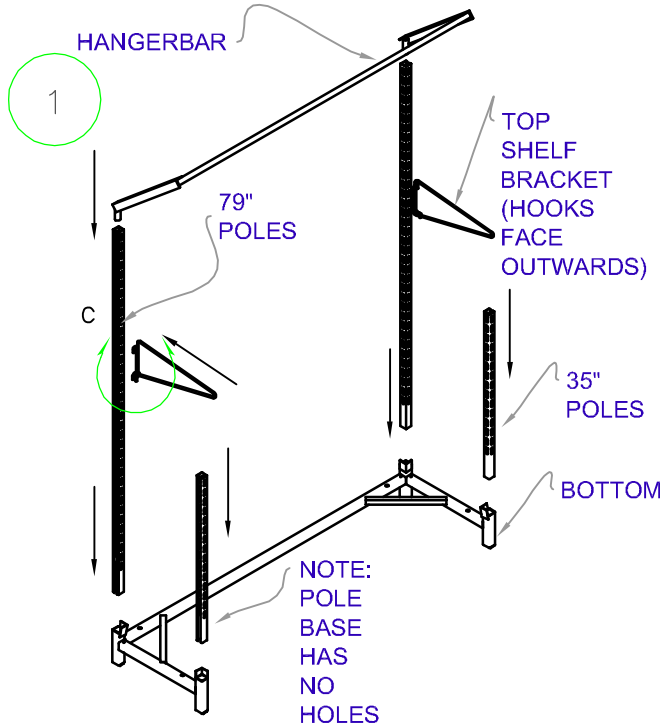




CARTS AND MERCHANDISING  
MERCHANDISER ASSEMBLY



- 1) PLACE BOTTOM ON GROUND AS SHOWN
  - INSERT POLES INTO CORNER POSTS FULLY WITH THE SHORT (35") POLES UP FRONT. (VIEW 1) & (DETAIL A)
  - \* NOTE: BOTTOMS OF POLES HAVE NO HOLES
  - SLIDE HANGERBAR INTO TOPS OF POLES (DETAIL B)
- 2) PLACE THE SHELVES WITH HOOKS AT DESIRED HEIGHT. (DETAIL A)
  - BOTTOM SHELF FIRST. ALL 4 SHELF HOOKS INSERT INTO EACH POLES HOLES. THESE SHELVES CAN REST AT 90° OR CAN BE SLOPED. SEE VIEWS 2 & 3
  - HOOK THE TOPSHELF BRACKET ON THE INSIDE OF APPROPRIATE POLE. THERE IS A LEFT AND RIGHT BRACKET. HOOKS FACE OUTWARDS (DETAIL C) ON THE BOTTOM OF THE BRACKET THERE ARE TWO ELBOWS. DEPENDING ON WHICH ELBOW IS IN THE POLE DECIDES THE ANGLE OF THE SHELF. (DETAIL D)
- 3) WHEN ADDING THE TOPSHELF MAKE SURE THAT THE BRACKET SLIPS IN-BETWEEN THE SIDE AND TABS TO ENSURE THE SHELF WILL NOT MOVE. (DETAIL E)