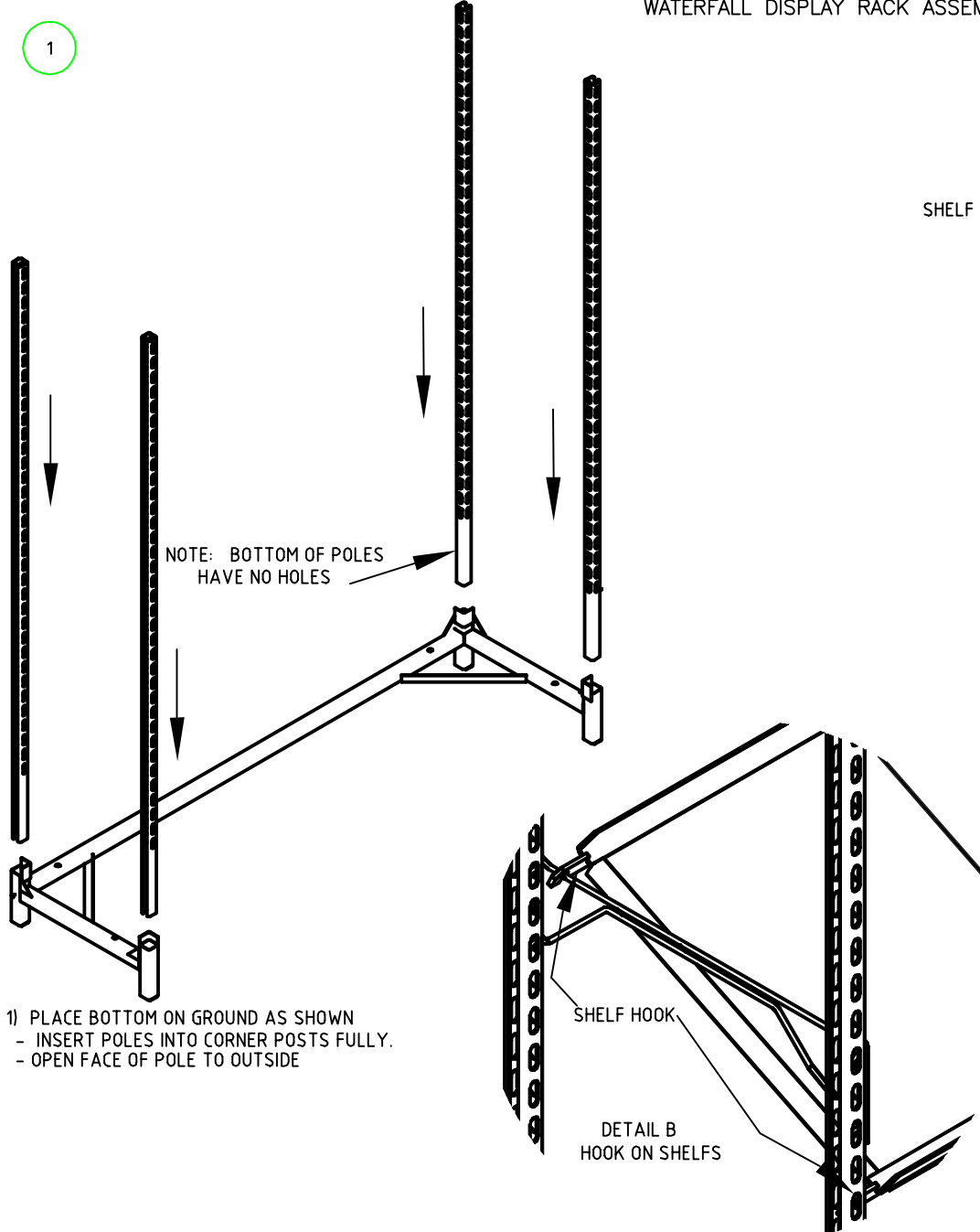
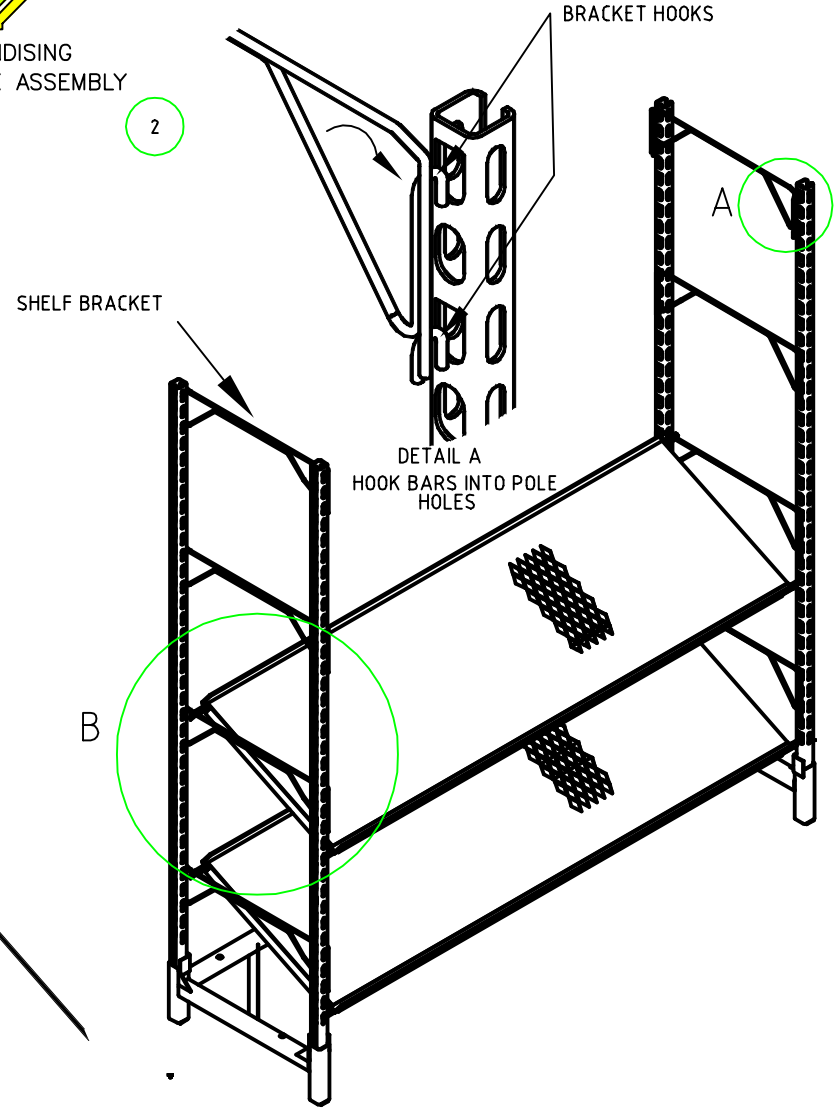




CARTS AND MERCHANDISING
WATERFALL DISPLAY RACK ASSEMBLY



- 1) PLACE BOTTOM ON GROUND AS SHOWN
- INSERT POLES INTO CORNER POSTS FULLY.
- OPEN FACE OF POLE TO OUTSIDE



- 3) PLACE THE SHELF BRACKETS AT DESIRED HEIGHTS AND INSERT HOOKS INTO POLES, ENSURING ALL OPPOSITE BRACKETS ARE AT THE SAME MATCHING POLE HEIGHT
- MATCH SQUARED AND ROUNDED EDGE HOLES IN ALL POSTS TO ENSURE SHELF BRACKETS ARE LEVEL
- 2) PLACE THE SHELF HOOKS ONTO BRACKETS AND INTO POLE HOLES BOTTOM SHELF FIRST AND PROCEEDING UP THE CART WITH ADDITIONAL SHELVES