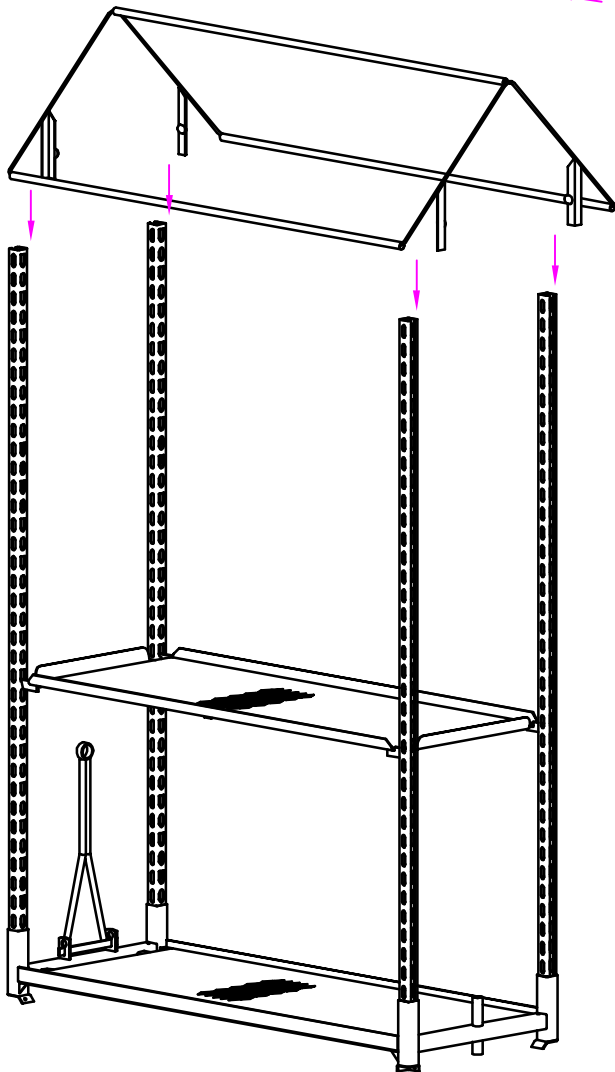
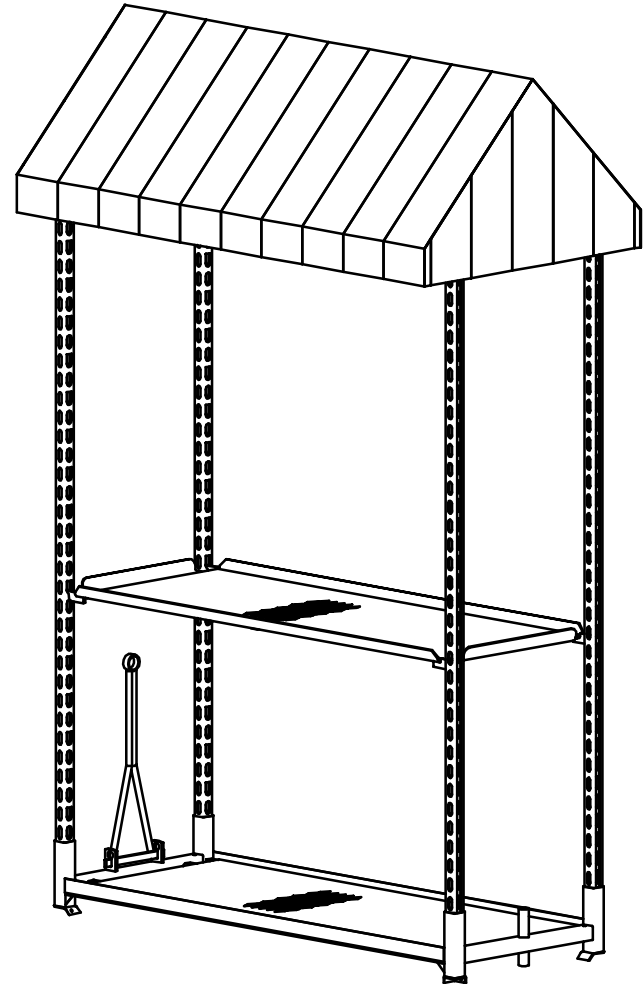



PLACE CANOPY OVER  
FRAME AND SECURE



DESIGNED BY VRE	DATE 03.15.07	REV# ---- BY ---- REV.DATE ----	FINISH HDG	QTY. 1	SCALE NTS
DRAWN BY PWE	CHECKED BY ----	TITLE/NAME RETAILER CANOPY ASSEMBLY			
		CUSTOMER --			
CARTS AND MERCHANDISING				DRG NO. CT_2259_RETAILER_ASSEMB	SH.# 1 OF 1 ( ' & " ) [ mm ]
THIS DRAWING IS THE PROPERTY OF VRE SYSTEMS AND CANNOT BE REPRODUCED NOR DELIVERED TO OTHERS WITHOUT THE WRITTEN PERMISSION OF VRE SYSTEMS					