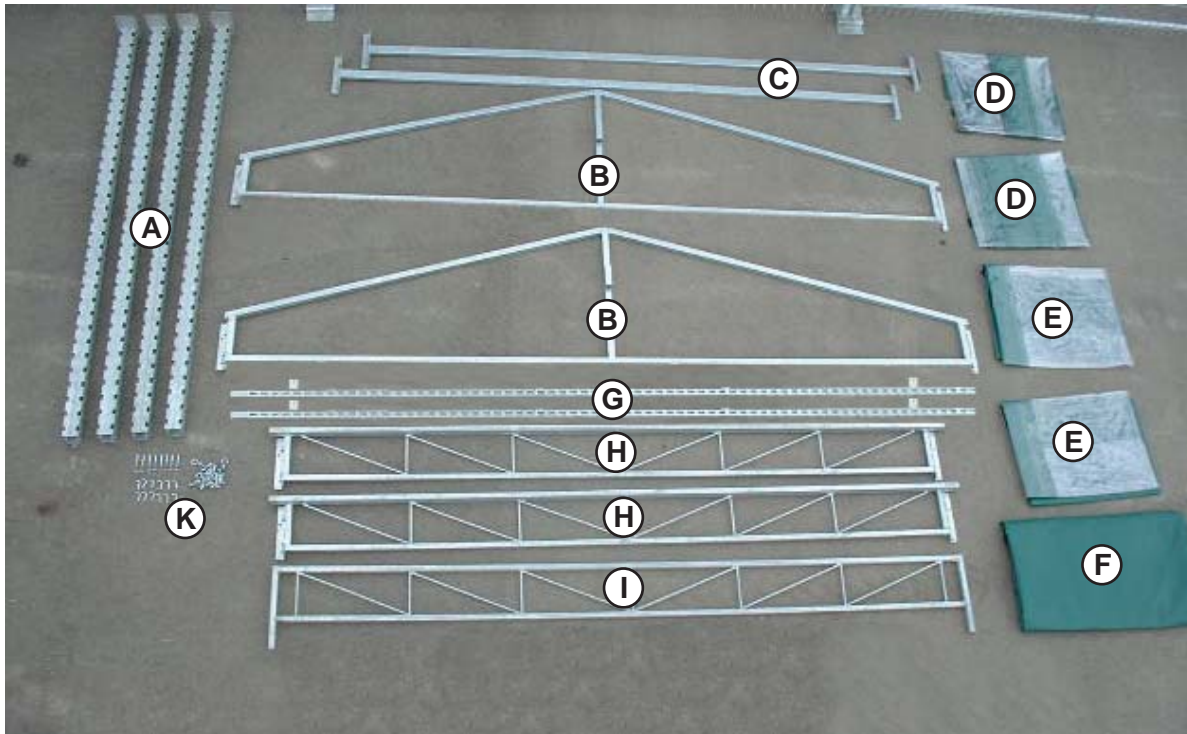




# 10' x 12' Cash Hut

INSTALLATION INSTRUCTIONS

# PARTS LIST



- |  |  |
|--|--|
| (A) Posts w/ Feet (4pcs)                             | (H) 10' Outside Truss (2pcs)                     |
| (B) 12' Peak Truss w/ Track (2pcs)                   | (I) 10' Centre Truss (1pc)                       |
| (C) 10' Support Bars (2pcs)                          | (J) Hardware:                                    |
| (D) Sliding Curtain (Vinyl) (2pcs)<br>[7' x 11-1/2"] | • 15" Tywrap (200pcs)                            |
| (E) Wall Panel (Vinyl) (2pcs)<br>[7' x 9-1/2"]       | • 5/16" x 2" Bolt with Nut for<br>Purlins (4pcs) |
| (F) Vinyl Roof (1pc)                                 | • 3/8" x 1" Bolt (4pcs)                          |
| (G) 12' Track (2pcs)                                 | • Truss Locking "J" Pin (12 pcs)                 |
|  | (K) Purlins (4pcs) [not shown]                   |

## Questions?

Call VRE @ 1 (800) 499-4873 or visit [www.vresystems.com](http://www.vresystems.com)

**STEP 1** Choose location and check **PARTS LIST** for items (page 2).

**STEP 2** Lay out 1 peak truss and 2 posts.

Insert the truss end bracket into the top of the post. Tap in place to lock the bracket tabs into the post slots. Repeat with the other post on the other end.



**STEP 3 IMPORTANT:** Install the "J" locking pins through the bracket into the post. Make sure they sit so that the head is flush with the bracket.



**STEP 4** Lay out the 2 - 10' outside trusses and 2 posts. Repeat steps 2 and 3.

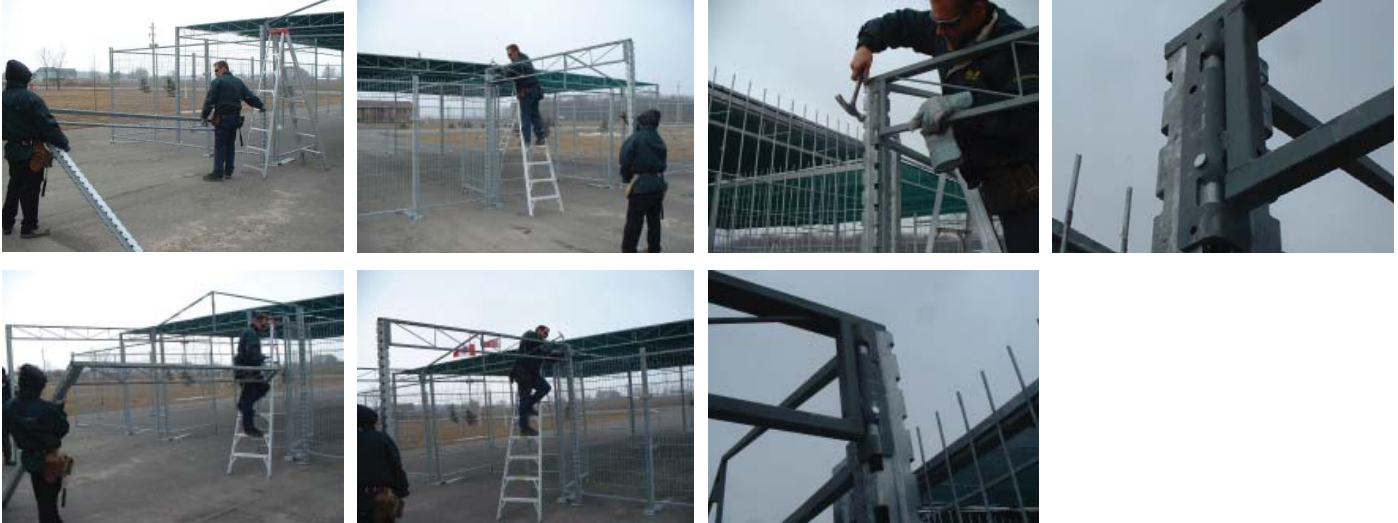


## Questions?

Call VRE @ 1 (800) 499-4873 or visit [www.vresystems.com](http://www.vresystems.com)



**STEP 5** Stand up the peak truss with two posts (from Step 2). Attach the free end of both sets of the 10' outside trusses (from Step 4) to the top of both posts attached to the peak truss. Install the "J" locking pins.



**STEP 6** Install the 2nd peak truss. Lift to the top of the outer posts. Position the truss so that the tabs on the bracket hook into the slots in the post. Tap the brackets with a hammer to ensure they are in place. Install the "J" locking pins.



**STEP 7** Install the centre truss. Lift it to the top of the peak and slip each end into the sockets on the inside of each peak truss.



## Questions?

Call VRE @ 1 (800) 499-4873 or visit [www.vresystems.com](http://www.vresystems.com)

**STEP 8** Install both the side cross member support bars close to the bottom of the poles by tapping the bracket tabs into the slots in the posts. Secure in place with "J" locking pins.



**STEP 9** Install the track for the front and back vinyl sliding curtains on the bottom of the front and back peak trusses with nuts and bolts.



**STEP 10** Lay out the 4 purlins. One at a time, place one end of the purlin so that the "U" bracket sits over the top centre truss and the other end so that the "U" bracket sits over the top of the outside truss. Repeat this step for all 4 purlins, 2 purlins on each side. Check that they are straight and parallel to the front and back peak trusses and that they are evenly spaced. Insert bolts and tighten with nuts.



## Questions?

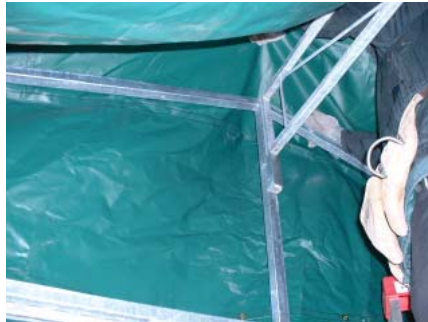
Call VRE @ 1 (800) 499-4873 or visit [www.vresystems.com](http://www.vresystems.com)



**STEP 11** Lay out the roof vinyl and find the top (the grommets are on the bottom). Drape it over one peak truss.



**STEP 12** Find the seam between the top and the side peak section of the roof vinyl cover. Place a tywrap loosely through the grommet at the bottom, centre of the peak section of the vinyl cover and around the bottom of the peak truss to hold the seam centered. Repeat this step for the other peak side.



**STEP 13** Install two tywraps loosely at each of the 4 corners. Next, install one tywrap at the bottom, centre of each of the two side trusses. Now install each tywrap loosely into all remaining grommets around the perimeter of the roof vinyl cover.



**STEP 14** Partially tighten all of the tywraps by moving in a clockwise pattern, starting with each of the 4 corners, then working from the centre out on each of the 4 sides. Further tighten each tywrap by following the same pattern. Repeat these steps until the roof vinyl cover is snug over the structure.

## Questions?

Call VRE @ 1 (800) 499-4873 or visit [www.vresystems.com](http://www.vresystems.com)

**STEP 15** Lay out both vinyl side panels. Begin by attaching each corner loosely with tywraps to the top and bottom of each vertical post. Install 1 tywrap loosely in the centre of each side of the vinyl side panel, then loosely install tywraps in the remaining grommets, working your way from the centre out. Tighten all of the tywraps by following the same pattern. Repeat these steps for the other vinyl side panel.



**STEP 16** Lay out one sliding curtain.



**STEP 17** Slide the flat washer-bolts into the track attached to the bottom of the front and back peak trusses.



**STEP 18** Insert the Velcro tabs through the "D" rings up one side. Pull the curtain snug and insert the Velcro tabs through the "D" rings on the other side.



**STEP 19** Repeat steps 16, 17 and 18 for the 2nd sliding curtain.

## Questions?

Call VRE @ 1 (800) 499-4873 or visit [www.vresystems.com](http://www.vresystems.com)

**STEP 20** For tying the front and back curtains open, use the straps that are sewn into the vinyl side panels.



**STEP 26** Anchor the Cash Hut to the ground through the holes in the post feet. Use the proper anchor hardware according to the type of surface you are anchoring to.

**PLEASE NOTE:**

- (a) It is recommended that the structure be secured on location to resist wind and weather
- (b) Vinyl cover **MUST** be removed **BEFORE** snowfall as this unit is not designed for snow-load conditions.

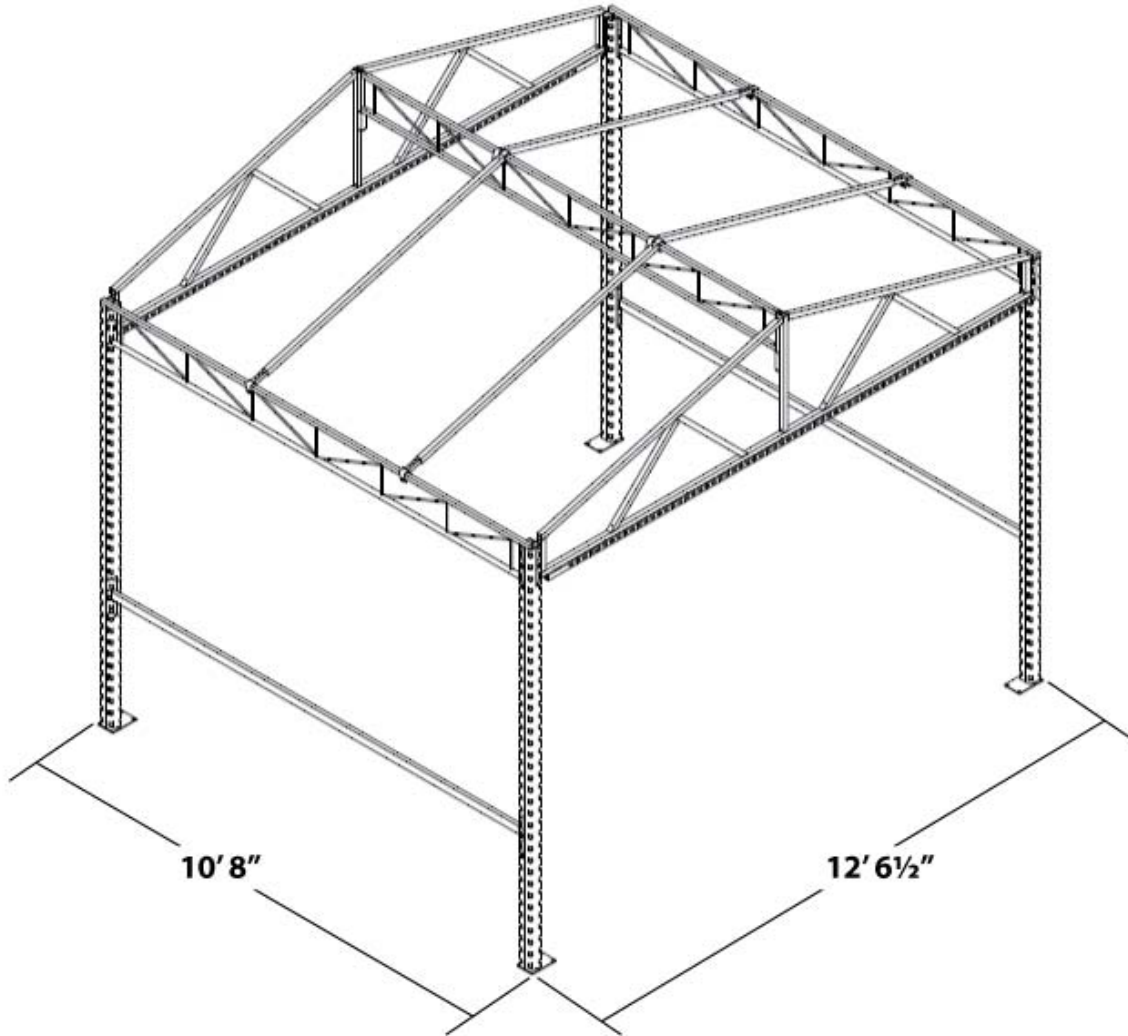
**We at VRE would like to thank you for your purchase of this product!**



**Questions?**

Call VRE @ 1 (800) 499-4873 or visit [www.vresystems.com](http://www.vresystems.com)





# 10' x 12' Cash Hut

## ASSEMBLY

### Questions?

Call VRE @ 1 (800) 499-4873 or visit [www.vresystems.com](http://www.vresystems.com)